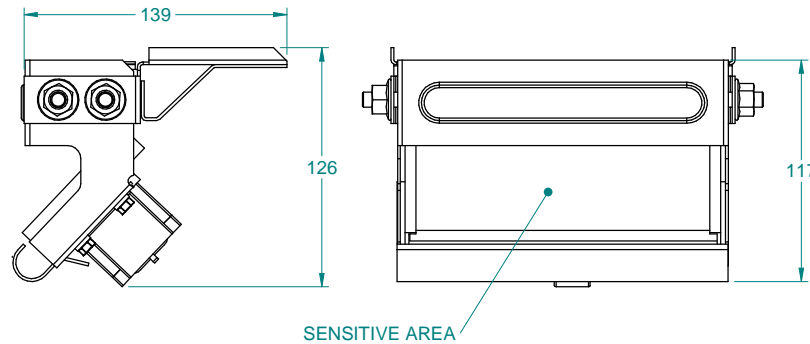
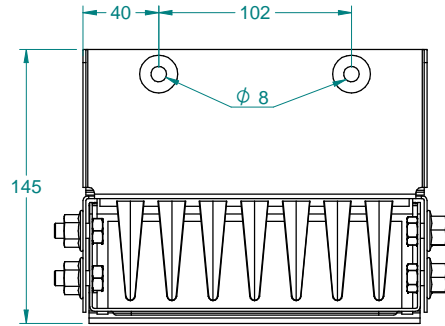


SIEVE SENSOR




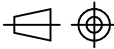
Technical Data

Power Supply	8 ÷ 16 Vdc
Maximum current	50 mA
Stand-by current	/
IP Grade	IP67
Operating temperature range	-20/+85 °C
Storage temperature range	-20/+85 °C
Weight	1030 g
Connectors	1 x SuperSeal 4 ways
Communications	1 x open collector
Inputs	/
Outputs	NPN 100 mA
Technical Data	- Detection sensor technology: piezo - Sensitivity adjustment input: Square wave 1 kHz 8Vpp duty cycle adjusts sensitivity

Materials

Sensitive material	Epoxy fiberglass
Case material	Polyamide
Bracket material	Aluminium

For any Technical Information, please contact our Sales Area

DATE	REV. N°	OBJECT	MOD. BY	DESCRIPTION	PAGE	 Fiesso Umbertiano - Rovigo - ITALY Certified Quality System UNI EN ISO 9001:2015 Certified Nr. 50 100 1361
DATE	REV. N°	OBJECT	MOD. BY	SIEVE SENSOR	1/1	
DATE	REV. N°	OBJECT	MOD. BY	PART NUMBER	DATE	
DATE	REV. N°	OBJECT	MOD. BY	40SEN-0001	14/07/2020	
DATE	REV. N°	OBJECT	MOD. BY	MEASUREMENT UNIT	SCALE	
Drawing properties of MC Electronics. All rights reserved.				IS	VIEW	 TOLERANCE mm +/- 0.2 SCALE 1:4

A

B

C

D

E

F