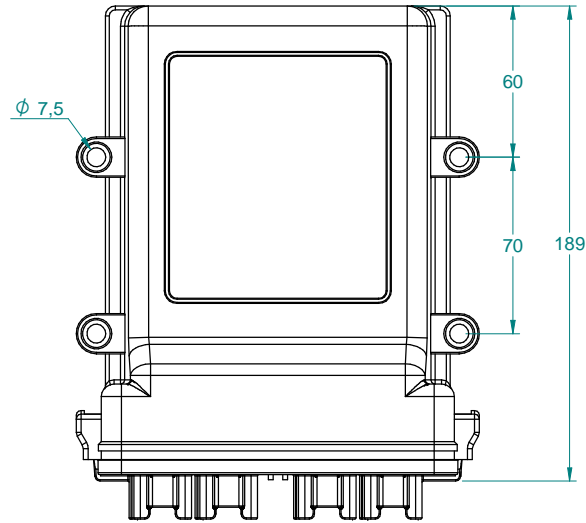
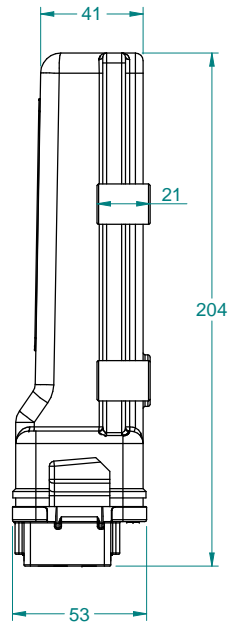
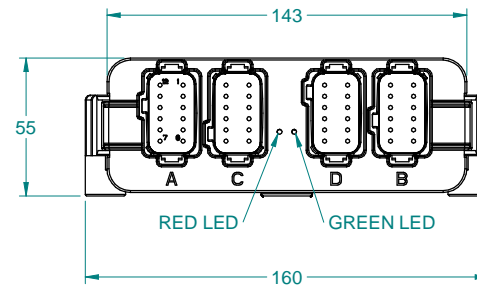
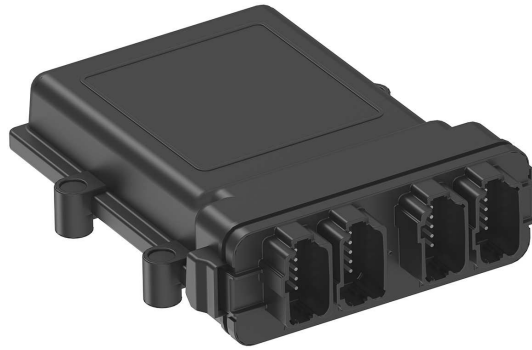


ECU TRAMLIN



Materials

External case	Nylon
---------------	-------

Technical Data

Power Supply	10 ÷ 16 Vdc
Maximum current	13 A
Stand-by current	200 μ A
IP Grade	IP67
Operating temperature range	-20/+70 °C
Storage temperature range	-25/+85 °C
Weight	570 g
Connectors	4 x Deutsch DT 12 ways
Communications	2 x CANBUS 2.0B
Inputs	Digital Input: - 1 x NPN 0-3 kHz - 9 x NPN 0-500 Hz - 4 x NPN 0-1 kHz Analog input (optional): - 4 inputs configurable 0-5 V and potentiometer interpretation
Outputs	2 x On-Off (PWM on request) 4 x polarity inversion
Technical Data	/

For any Technical Information, please contact our Sales Area

DATE	REV. N°	OBJECT	MOD. BY	DESCRIPTION	PAGE
DATE	REV. N°	OBJECT	MOD. BY	ECU TRAMLIN	1/1
DATE	REV. N°	OBJECT	MOD. BY	PART NUMBER	DATE
DATE	REV. N°	OBJECT	MOD. BY	VARIOUS CODES	03/07/2020
DRAWING PROPERTIES OF MC ELECTRONICS. ALL RIGHTS RESERVED.			MEASUREMENT UNIT	COD. DRAW	SCALE
			IS	DS030_R0	1:3
			VIEW	DRAWER	TOLERANCE mm
				BA	+/- 0.2



Fiesso Umbertino - Rovigo - ITALY

Certified Quality System
UNI EN ISO 9001:2015
Certified Nr. 50 100 1361

A

B

C

D

E

F