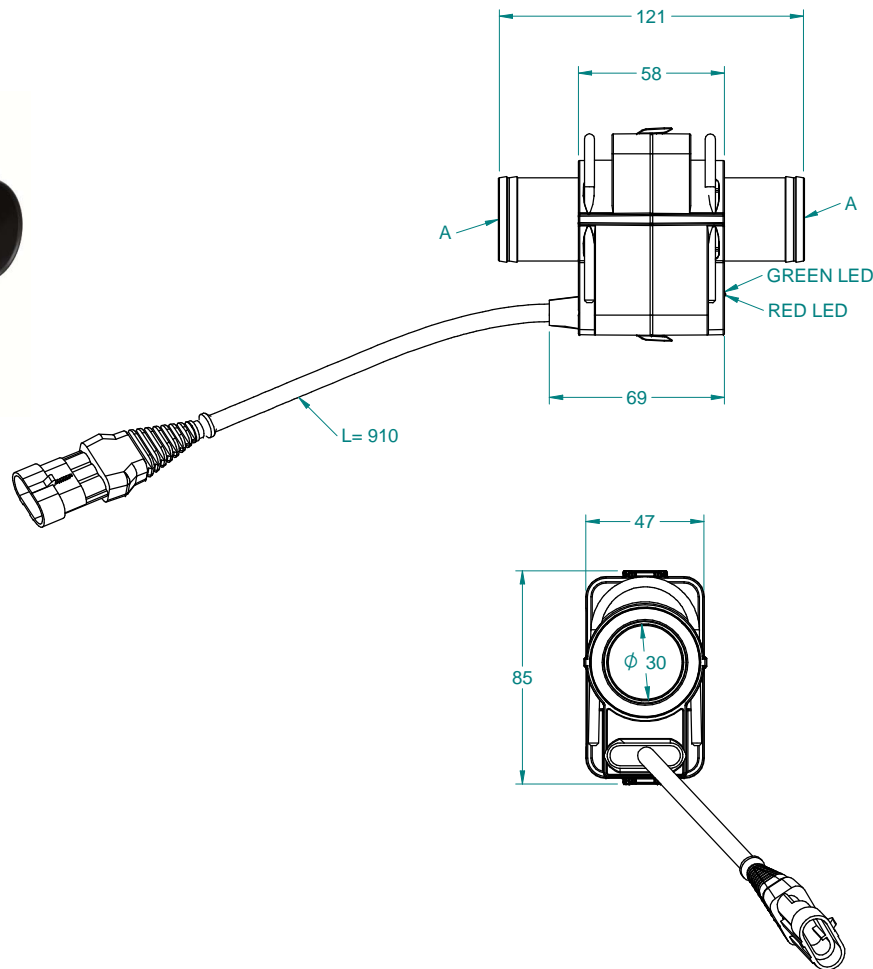


# D30 Blockage sensor

## Analogue Version



### Materials

Body Material	Polyamide
---------------	-----------

### Technical Data

Power Supply	8 or 12 Vdc
Maximum current	100 mA
Stand-by current	/
IP Grade	IP67
Operating temperature range	-20/+70 °C
Storage temperature range	-20/+85 °C
Weight	220 g
Connectors	1 x Superseal 3 ways
Communications	1 x open collector
Inputs	/
Outputs	NPN (PNP on request)
Technical Data	Minimum size detectable: 2 mm Adapters available (A): - 25 mm - 30 mm - 32 mm - 35 mm

For any Technical Information, please contact our Sales Area

DATE	REV. N°	OBJECT	MOD. BY	DESCRIPTION	PAGE
DATE	REV. N°	OBJECT	MOD. BY	<b>D30 Blockage sensor</b>	1/2
DATE	REV. N°	OBJECT	MOD. BY	PART NUMBER	DATE
DATE 27/10/2020	REV. N° 01	OBJECT Modified Technical Data	MOD. BY BA	VARIOUS CODES	02/07/2020
Drawing properties of MC Electronics. All rights reserved.				MEASUREMENT UNIT	SCALE
				IS	1:3
				COD. DRAW	TOLERANCE mm
				DS028_R1	+/- 0.2
				DRAWER	VIEW
				BA	



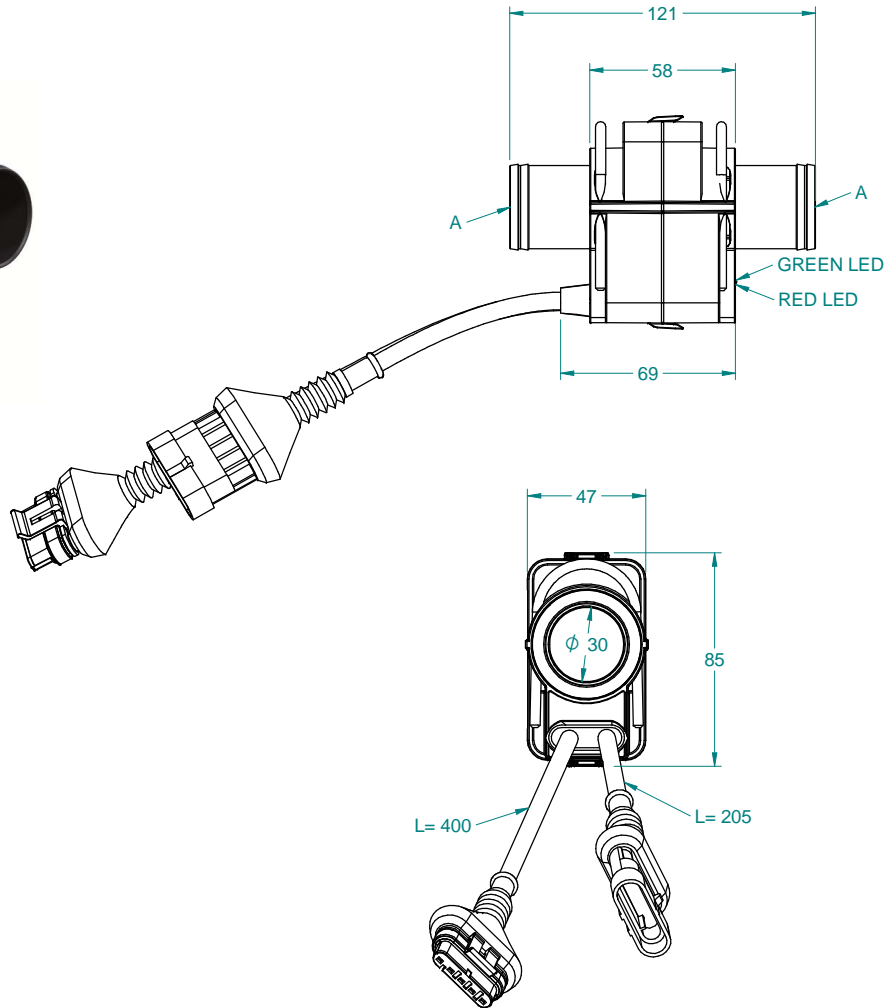
Fiesso Umbertiano - Rovigo - ITALY

Certified Quality System  
UNI EN ISO 9001:2015  
Certified Nr. 50 100 1361

A B C D E F

# D30 Blockage sensor

## CanBus Version



### Materials

Body Material	Polyamide
---------------	-----------

### Technical Data

Power Supply	8 ÷ 16 Vdc
Maximum current	100 mA
Stand-by current	/
IP Grade	IP67
Operating temperature range	-20/+70 °C
Storage temperature range	-20/+85 °C
Weight	265 g
Connectors	2 x Superseal 5 ways
Communications	1 x CANBUS 2.0B
Inputs	/
Outputs	/
Technical Data	Minimum size detectable: 2 mm Adapters available (A): - 25 mm - 30 mm - 32 mm - 35 mm

For any Technical Information, please contact our Sales Area

DATE	REV. N°	OBJECT	MOD. BY	DESCRIPTION	PAGE
DATE	REV. N°	OBJECT	MOD. BY	<b>D30 Blockage sensor</b>	2/2
DATE	REV. N°	OBJECT	MOD. BY	PART NUMBER	DATE
DATE 27/10/2020	REV. N° 01	OBJECT Modified Technical Data	MOD. BY BA	VARIOUS CODES	02/07/2020
Drawing properties of MC Electronics. All rights reserved.				MEASUREMENT UNIT	VIEW
				IS	1:3
				COD. DRAW	TOLERANCE mm
				DS028_R1	+/- 0.2
				DRAWER	SCALE
				BA	1:3



Fiesso Umbertiano - Rovigo - ITALY

Certified Quality System  
UNI EN ISO 9001:2015  
Certified Nr. 50 100 1361

A

B

C

D

E

F