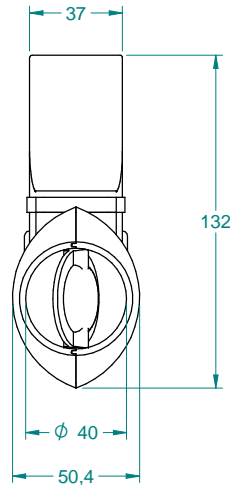
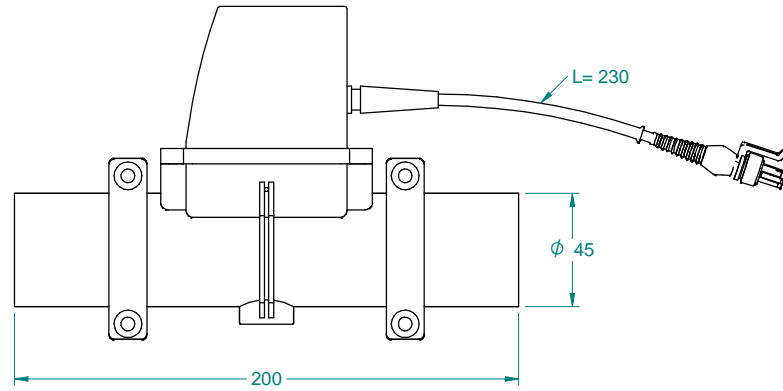


# AIR VALVE LB 100 NG



## Materials

Body Material	Nylon
Sensor Material	Polypropylene and TPE

## Technical Data

Power Supply	12 Vdc
Maximum current	600 mA
Stand-by current	/
IP Grade	IP66
Operating temperature range	-20/+70 °C
Storage temperature range	-25/+70 °C
Weight	370 g
Connectors	1 x Superseal 2 ways
Communications	/
Inputs	/
Outputs	/
Technical Data	Opening/closing timing 3 sec

For any Technical Information, please contact our Sales Area

DATE	REV. N°	OBJECT	MOD. BY	DESCRIPTION	PAGE
DATE	REV. N°	OBJECT	MOD. BY	<b>AIR VALVE LB 100 NG</b>	1/1
DATE	REV. N°	OBJECT	MOD. BY	PART NUMBER	DATE
DATE	REV. N°	OBJECT	MOD. BY	10VAL-LB100-0002	05/06/2020
DRAWING PROPERTIES OF MC ELECTRONICS. ALL RIGHTS RESERVED.				MEASUREMENT UNIT	VIEW
				IS	
				COD. DRAW	DRAWER
				DS022_R0	BA
				TOLERANCE mm	SCALE
				+/- 0.2	1:3



Fiesso Umbertiano - Rovigo - ITALY

Certified Quality System  
UNI EN ISO 9001:2015  
Certified Nr. 50 100 1361