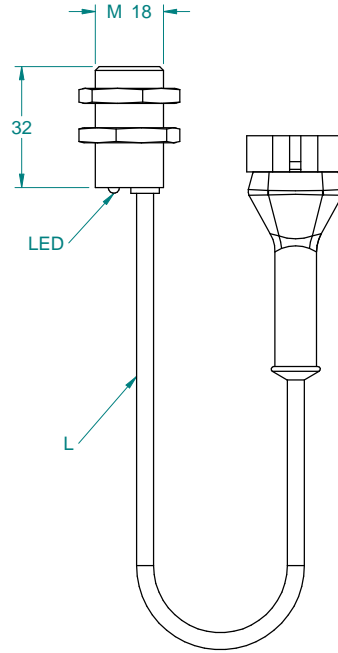


# NAMUR INDUCTIVE SENSOR



## Materials

Housing Material	Nichel-plated brass
------------------	---------------------

## Technical Data

Power Supply	3 ÷ 24 Vdc
Maximum current	4 mA
Stand-by current	/
IP Grade	IP67
Operating temperature range	-25/+70 °C
Storage temperature range	-25/+70 °C
Weight	130 g
Connectors	1 x Superseal 3 ways
Communications	1 x open collector
Inputs	/
Outputs	NPN NO
Technical Data	Operating distance 5 mm

Code	Length cable (L)
481	2900 mm
1404	1500 mm

For any Technical Information, please contact our Sales Area

DATE	REV. N°	OBJECT	MOD. BY	DESCRIPTION	PAGE
DATE	REV. N°	OBJECT	MOD. BY	<b>NAMUR INDUCTIVE SENSOR</b>	1/1
DATE	REV. N°	OBJECT	MOD. BY	PART NUMBER	DATE
DATE 27/01/2022	REV. N° 01	OBJECT Added reference various codes	MOD. BY BA	Various codes	25/05/2020
Drawing properties of MC Electronics. All rights reserved.				MEASUREMENT UNIT	VIEW
				IS	SCALE
					1:2
					TOLERANCE mm
					+/- 0.2
					DRAWER
					BA
					COD. DRAW
					DS015_R1



Fiesso Umbertiano - Rovigo - ITALY

Certified Quality System  
UNI EN ISO 9001:2015  
Certified Nr. 50 100 1361

A

B

C

D

E

F