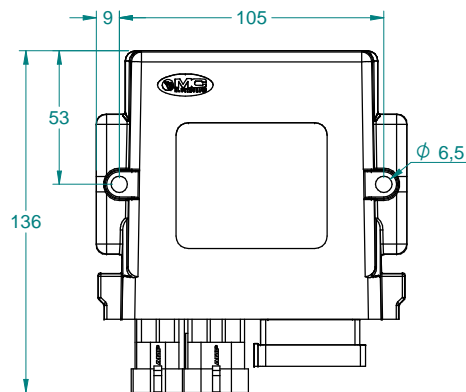
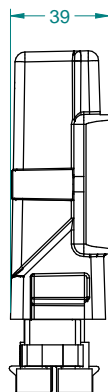
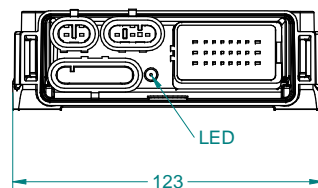


# ECU SEM 12-CR / ER



Technical Data	
Power Supply	10 ÷ 16 Vdc
Maximum current	18 A (ECU SEM 12-ER) 3 A (ECU SEM 12-CR)
Stand-by current	600 µA
IP Grade	IP67
Operating temperature range	-20/+70 °C
Storage temperature range	-25/+80 °C
Weight	500 g
Connectors	1 x FCI Sicma 24 ways 1 x AMP Superseal 2 ways 1 x AMP Superseal 3 ways 1 x AMP Superseal 5 ways
Communications	1 x CANBUS 2.0B
Inputs	(only in ECU SEM12-CR) 12 x photocell 500 Hz 1 x Speed high frequency 1 x RPM fan 2 x configuration 1 x 4-20mA for vacuumeter sensor
Outputs	(only in ECU SEM12-ER) 12 x reverse polarity 1,5 A max
Technical Data	Protection: reversal polarity overvoltage

Materials	
External case	Polyamide
Insulating material	Polyurethane resin

For any Technical Information, please contact our Sales Area

DATE	REV. N°	OBJECT	MOD. BY	DESCRIPTION	PAGE
DATE	REV. N°	OBJECT	MOD. BY	<b>ECU SEM 12-CR / ER</b>	1/1
DATE	REV. N°	OBJECT	MOD. BY	PART NUMBER	DATE
DATE	REV. N°	OBJECT	MOD. BY	<b>VARIOUS CODES</b>	<b>23/03/2020</b>
DATE	REV. N°	OBJECT	MOD. BY	MEASUREMENT UNIT	SCALE
Drawing properties of MC Electronics. All rights reserved.				IS	1:3



Fiesso Umbertiano - Rovigo - ITALY

Certified Quality System  
UNI EN ISO 9001:2008  
Certified Nr. 50 100 1361

A

B

C

D

E

F