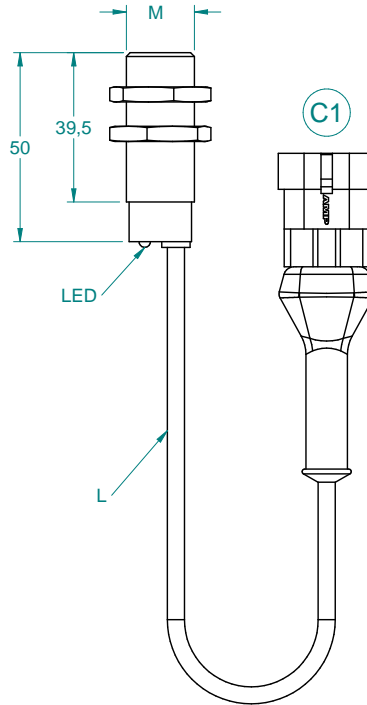


# INDUCTIVE SENSOR



## Materials

Housing Material	Nichel-plated brass
------------------	---------------------



Code	Length cable (L)	Diameter (M)
1988	2000 mm	M18 mm
2001	400 mm	M12 mm
2573	2000 mm	M18 mm
3717	2000 mm	M12 mm

## Technical Data

Power Supply	10 ÷ 30 Vdc
Maximum current	10 mA
Stand-by current	/
IP Grade	IP67
Operating temperature range	-25/+70 °C
Storage temperature range	-25/+70 °C
Weight	130 g
Connectors	1 x Superseal 3 ways male (code 1988) 1 x Superseal 3 ways female (code 2001 - 2573 - 3717)
Communications	1 x open collector
Inputs	/
Outputs	NPN NO
Technical Data	Operating distance 0 ÷ 4 mm

For any Technical Information, please contact our Sales Area

DATE	REV. N°	OBJECT	MOD. BY
DATE	REV. N°	OBJECT	MOD. BY
DATE 20/07/2022	REV. N° 02	OBJECT Added Pin-out table	MOD. BY MC
DATE 27/01/2022	REV. N° 01	OBJECT Added reference various codes	MOD. BY BA
Drawing properties of MC Electronics. All rights reserved.			

DESCRIPTION <b>INDUCTIVE SENSOR</b>		PAGE 1/2
PART NUMBER Various codes	COD. DRAW DS014_R2	DRAWER BA
MEASUREMENT UNIT IS	VIEW 	DATE 25/05/2020
	TOLERANCE mm +/- 0.2	SCALE 1:2



Fiesso Umbertiano - Rovigo - ITALY

Certified Quality System  
UNI EN ISO 9001:2015  
Certified Nr. 50 100 1361

A

B

C

D

E

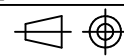

F

# PIN-OUT TABLE

Code: 1988 / 2001 / 2573 / 3717

Connector	N° pin	Color	Function
C1	1	Blue	GND
	2	Brown	12VDC Power supply
	3	Black	Sensor output

For any Technical Information, please contact our Sales Area

DATE	REV. N°	OBJECT	MOD. BY	DESCRIPTION	PAGE
DATE	REV. N°	OBJECT	MOD. BY	<b>INDUCTIVE SENSOR</b>	2/2
DATE 20/07/2022	REV. N° 02	OBJECT Added Pin-out table	MOD. BY MC	PART NUMBER Various codes	COD. DRAW DS014_R2
DATE 27/01/2022	REV. N° 01	OBJECT Added reference various codes	MOD. BY BA	MEASUREMENT UNIT IS	VIEW 
Drawing properties of MC Electronics. All rights reserved.				TOLERANCE mm +/- 0.2	SCALE 1:1
				 Fiesso Umbertiano - Rovigo - ITALY Certified Quality System UNI EN ISO 9001:2015 Certified Nr. 50 100 1361	

A

B

C

D

E

F