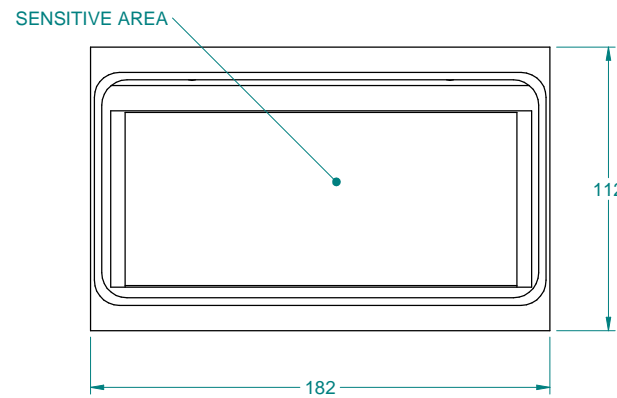
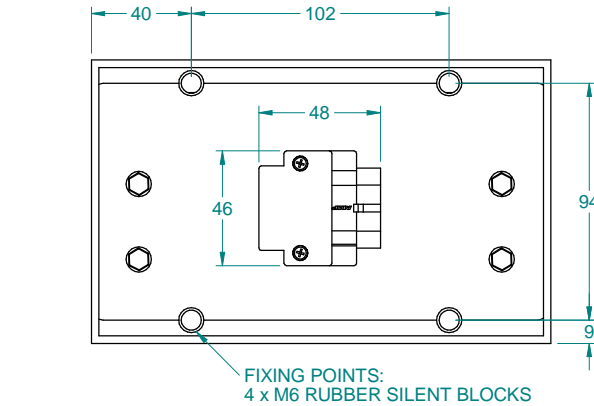
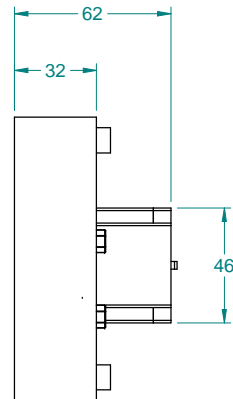


# STRAW WALKER SENSOR



## Materials

Sensitive material	Epoxy fiberglass
Case material	Polyamide



## Technical Data

Power Supply	8 ÷ 16 Vdc
Maximum current	50 mA
Stand-by current	/
IP Grade	IP67
Operating temperature range	-20/+85 °C
Storage temperature range	-20/+85 °C
Weight	420 g
Connectors	1 x SuperSeal 4 ways
Communications	1 x open collector
Inputs	/
Outputs	NPN 100 mA
Technical Data	- Detection sensor technology: piezo - Sensitivity adjustment input: Square wave 1 kHz 8Vpp duty cycle adjusts sensitivity

For any Technical Information, please contact our Sales Area

DATE	REV. N°	OBJECT	MOD. BY	DESCRIPTION	PAGE
DATE	REV. N°	OBJECT	MOD. BY	<b>STRAW WALKER SENSOR</b>	1/1
DATE	REV. N°	OBJECT	MOD. BY	PART NUMBER	DATE
DATE	REV. N°	OBJECT	MOD. BY	40SEN-0002	14/07/2020
				COD. DRAW	DRAWER
				DS041_R0	BA
				MEASUREMENT UNIT	TOLERANCE mm
				IS	±/ - 0.2
				VIEW	SCALE
					1:3



Fiesso Umbertiano - Rovigo - ITALY

Certified Quality System  
UNI EN ISO 9001:2015  
Certified Nr. 50 100 1361