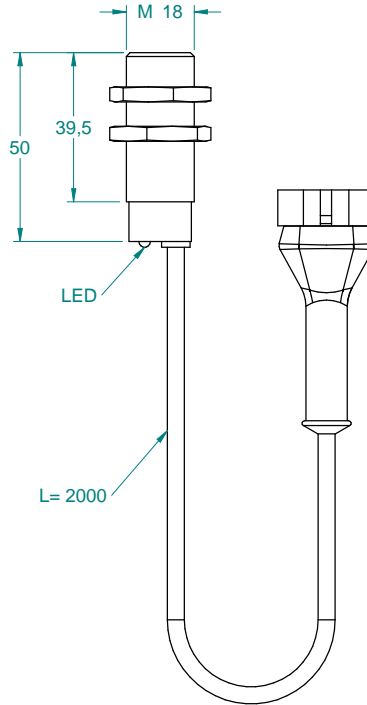


INDUCTIVE SENSOR




Materials

Housing Material	Nichel-plated brass
------------------	---------------------

Technical Data

Power Supply	10 ÷ 30 Vdc
Maximum current	10 mA
Stand-by current	/
IP Grade	IP67
Operating temperature range	-25/+70 °C
Storage temperature range	-25/+70 °C
Weight	130 g
Connectors	1 x Superseal 3 ways
Communications	1 x open collector
Inputs	/
Outputs	NPN NO
Technical Data	Operating distance 0 ÷ 4 mm

For any Technical Information, please contact our Sales Area

DATE	REV. N°	OBJECT	MOD. BY	DESCRIPTION	PAGE	 Fiesso Umbertiano - Rovigo - ITALY Certified Quality System UNI EN ISO 9001:2015 Certified Nr. 50 100 1361
DATE	REV. N°	OBJECT	MOD. BY	INDUCTIVE SENSOR	1/1	
DATE	REV. N°	OBJECT	MOD. BY	PART NUMBER	DATE	
DATE	REV. N°	OBJECT	MOD. BY	2573	25/05/2020	
DATE	REV. N°	OBJECT	MOD. BY	MEASUREMENT UNIT	SCALE	
Drawing properties of MC Electronics. All rights reserved.				IS	1:2	
				COD. DRAW	TOLERANCE mm	
				DS014_R0	+/- 0.2	
				VIEW		

A

B

C

D

E

F