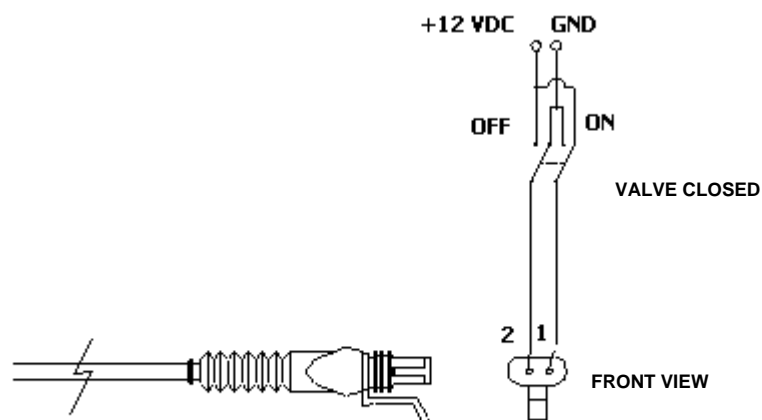


TECHNICAL FEATURES	
SUPPLY VOLTAGE	12 VDC +/- 4V
MAX. CURRENT ABSORPTION	1 A max
PROTECTION DEGREE	IP 65
MATERIAL USED	BLACK ABS/AT
MECHANISM	EPICYCLOIDAL MOTOR REDUCER
WORKING TEMPERATURE	-20°C + +70°C
REACTION TIME AT 12 VDC	0 + 2 sec
WEIGHT	400 gr

ELECTRIC POLARITY TO THE CONNECTOR (AMP SUPERSEAL 2-WAY C.F)		
VALVE OPEN	PIN 1 = GND	PIN 2 = +12 VDC
VALVE CLOSED	PIN 1 = +12 VDC	PIN 2 = GND

**VALVE ASSEMBLY SCHEME**

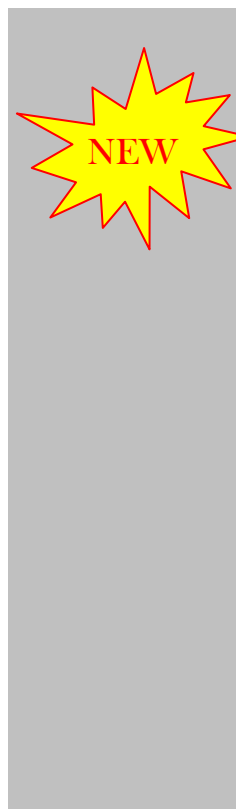


2-WAY AMP SUPERSEAL CONNECTOR FOR FEMALE COUNTERPART

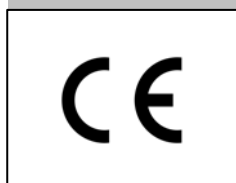
**6 NOTES**

- 6.1. **IT IS ADVISABLE** to use together with the valves also an **MCelectronics** monitor, which will signal when the valve is open and closed.
- 6.2. **DO NOT WASH** the valves with direct water jet or under pressure; in this case **MCelectronics** denies each liability for possible malfunctioning of the AMC SYSTEM valves.

Installation and use



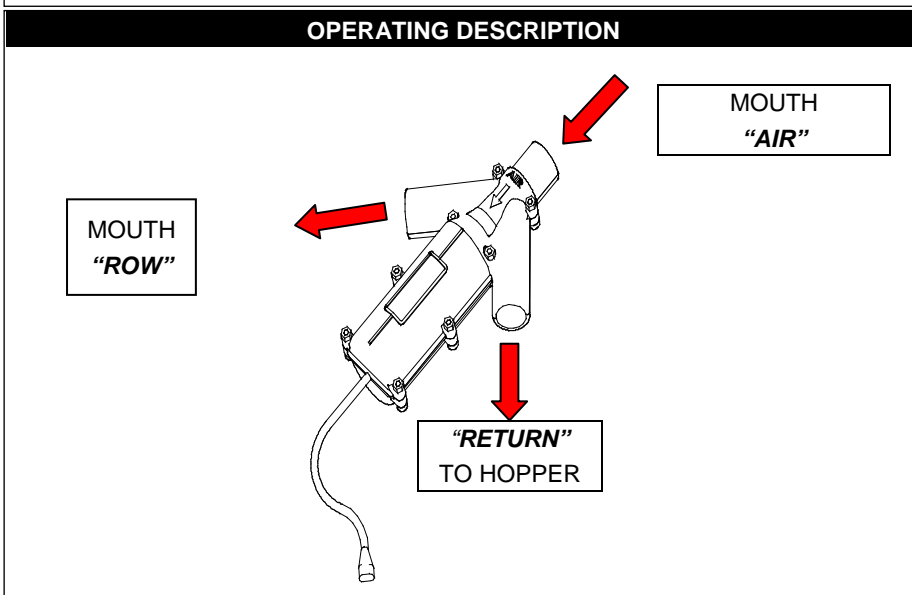
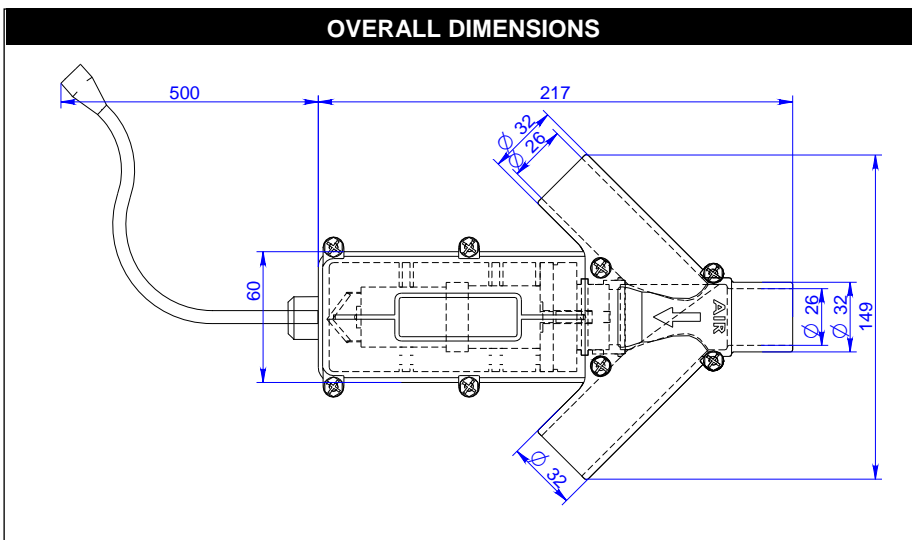
**ROW SHUT-OFF VALVES FOR PNEUMATIC SEED DRILLS**  
**TCS 2300**



AMC 201.04.5 UK

**DATA SHEET**



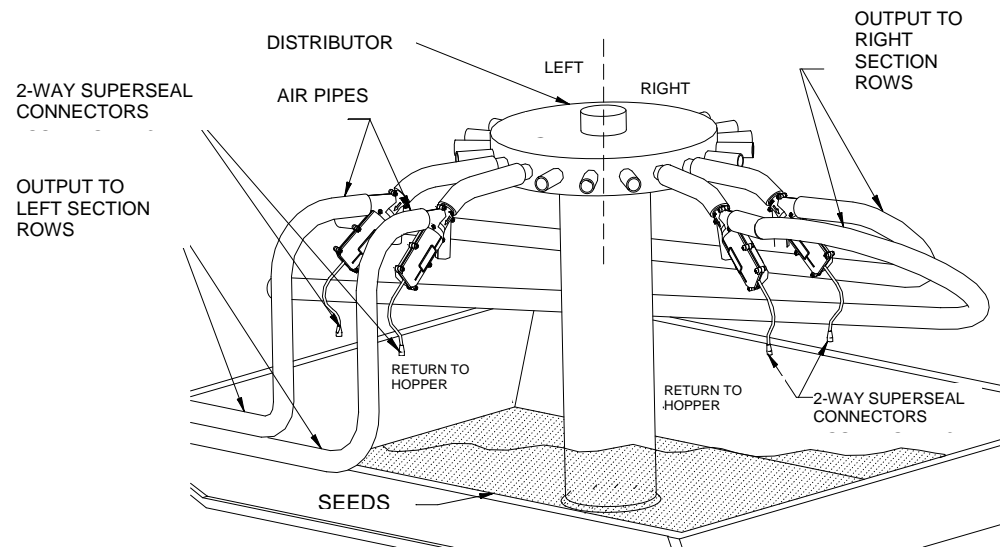


**OPERATING**

Seeds enter from "AIR" mouth and are consequently turned to either "RETURN" to the hopper if the row is shut-off – thus not seeding, or to "ROW" mouth if the row is not shut-off - thus seeding; that all is carried out by simply acting on the switch of a MC control.

## VALVE FOR PNEUMATIC SEED DRILLS Cod. 3797

**VALVE ASSEMBLY**



- 1) Connect the 2-way valve to the distributor by cutting the flexible hose on the machine and fixing it to the **AIR** mouth, as shown in the picture; place the valves as near as possible to the distributor, directing the **RETURN** mouth downwards.
- 2) Connect the valve to the remaining pipe piece by fixing it to the **ROW** mouth.
- 3) Connect the valve connector to its related harness, protecting the whole cable and the air pipes in such a way, that they won't get damaged by mechanical moving parts.
- 4) The **RETURN** mouth of the valve has to be kept free; in case a pipe should be fixed to it due to particular requirements, the complete lack of cambers on it is very important, in order to have a good functioning.
- 5) Carry out the fixing of the valve to the air pipes by means of plastic hose clamps.

NOTE: MAKE SURE THE ASSEMBLY IS CARRIED OUT BY FOLLOWING THE INDICATIONS REPORTED ON THE VALVE (SEE PREVIOUS PAGE)